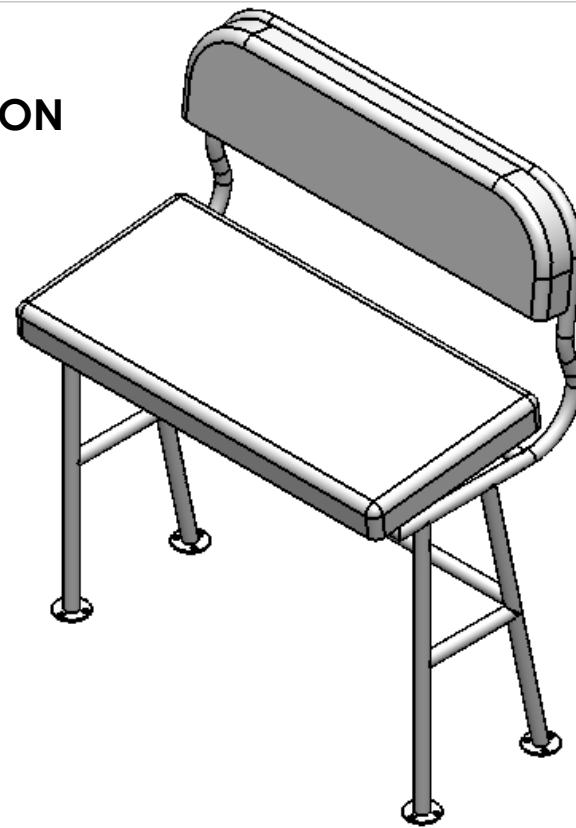
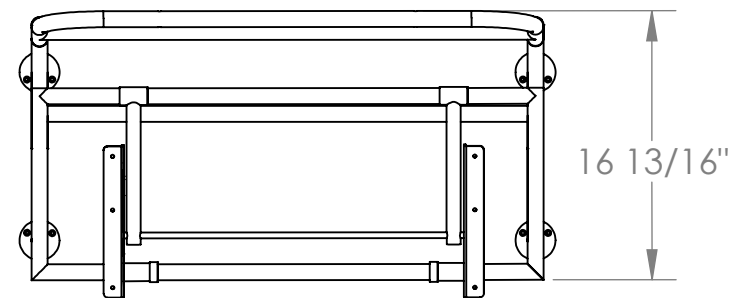


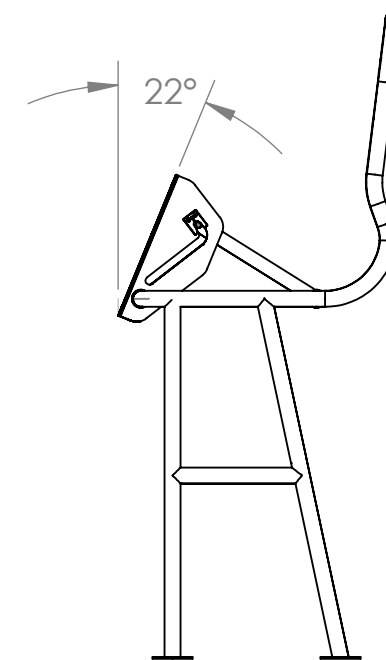
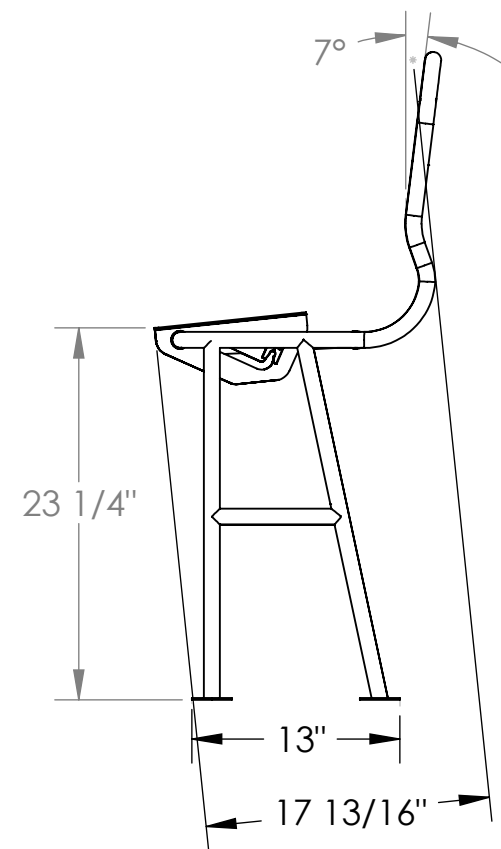
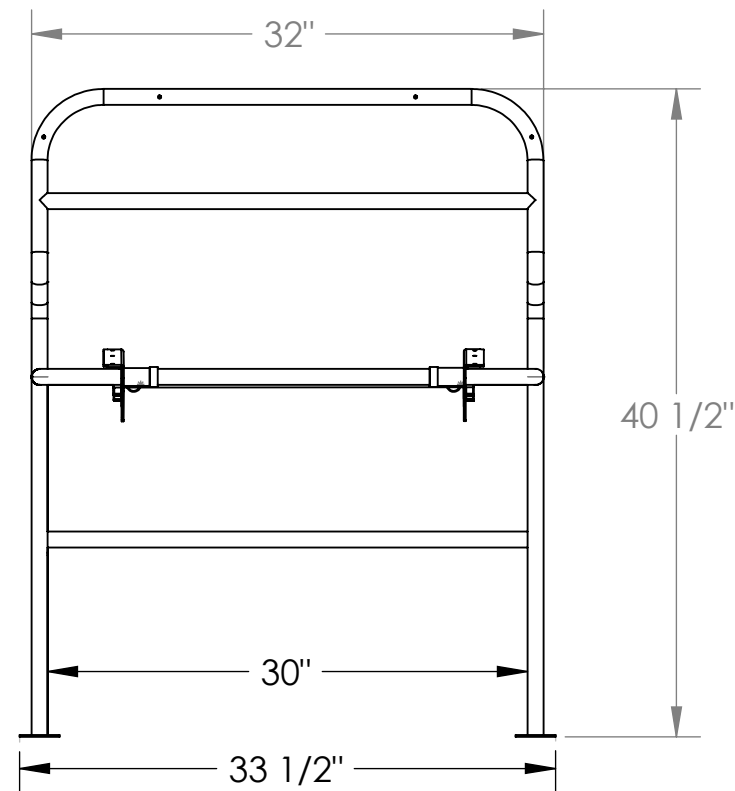
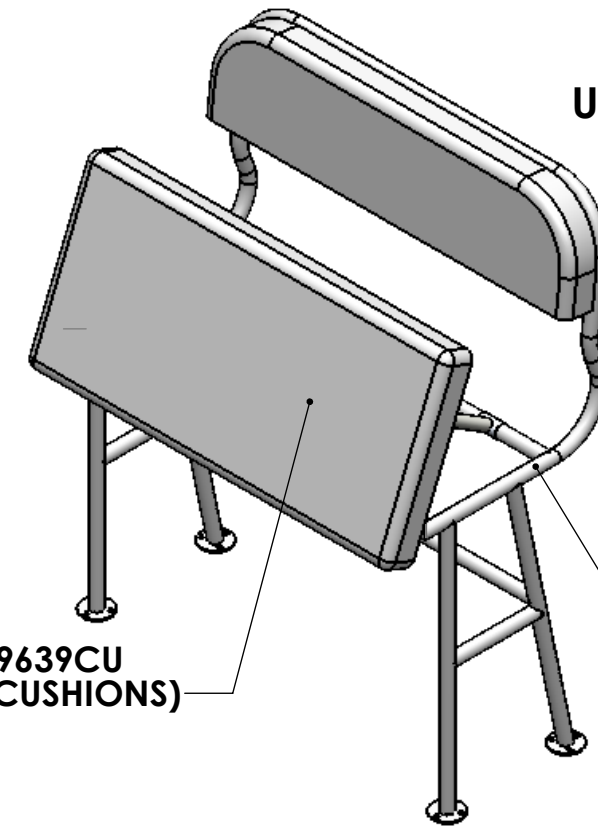
DOWN POSITION



UP POSITION

**P.N. 4-19639CU
(FRAME W/CUSHIONS)**

**P.N. 4-19639
(FRAME ONLY)**



<p>UNLESS OTHERWISE SPECIFIED: DIMENSIONS ARE IN INCHES TOLERANCES: FRACTIONAL ± 1/64" ANGULAR: MACH ± 1 Deg. BEND ± 1 Deg. TWO PLACE DECIMAL ± .03" THREE PLACE DECIMAL ± .015"</p>	<p>2821 Old Tree Drive Lancaster, PA 17603 717-394-3701</p>	
	<p>7230 15th Street East Sarasota, FL 34243 941-360-1967</p>	
<p>G.G. Schmitt & Sons</p>		
<p>TITLE: FRAME, SS LEAN POP UP</p>		
<p>DRAWN BY: GAT</p>	<p>APR BY:</p>	<p>REV: 0</p>
<p>SIZE B</p>	<p>DWG. NO. 4-19639</p>	<p>CUSTOMER NO. -</p>
<p>SCALE: NTS</p>		<p>DATE: 5/16/09</p>
<p>SHEET 1 OF 1</p>		

PROPRIETARY AND CONFIDENTIAL
 THE INFORMATION CONTAINED IN THIS DRAWING IS THE SOLE PROPERTY OF G.G. SCHMITT & SONS. ANY REPRODUCTION IN PART OR AS A WHOLE WITHOUT THE WRITTEN PERMISSION OF G.G. SCHMITT & SONS IS PROHIBITED.
 DO NOT SCALE DRAWING