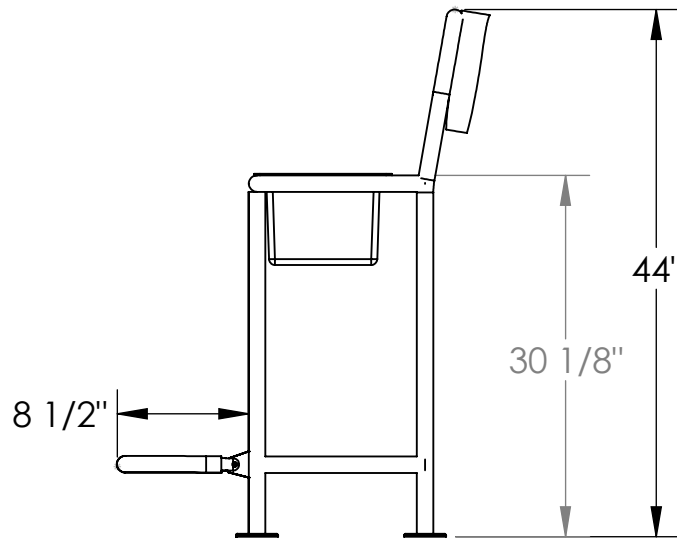
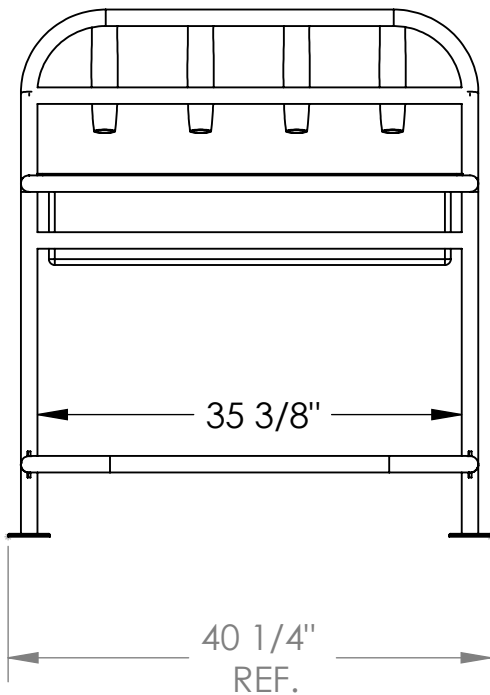
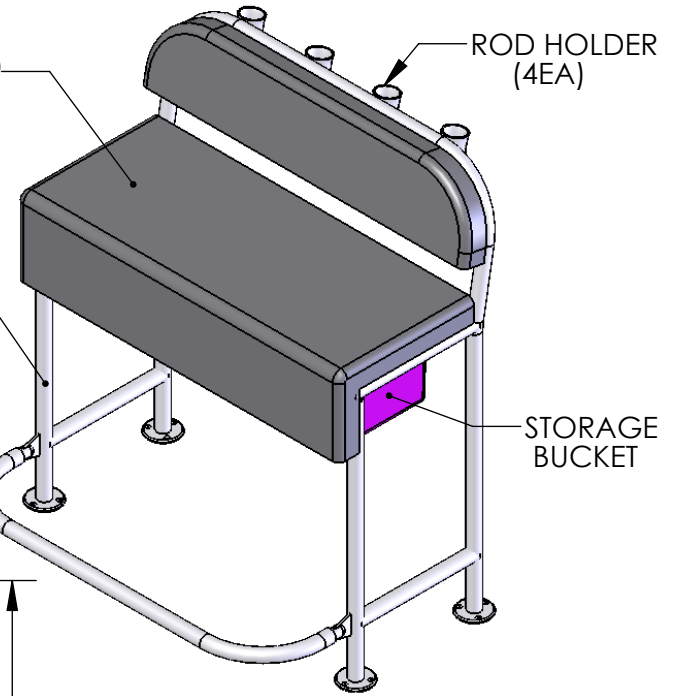


**P.N. 4-19637CU  
(FRAME W/CUSHIONS)**

**P.N. 4-19637  
(FRAME ONLY)**



**UNLESS OTHERWISE SPECIFIED:**

DIMENSIONS ARE IN INCHES  
TOLERANCES:  
FRACTIONAL  $\pm 1/64"$   
ANGULAR: MACH  $\pm 1$  Deg.  
BEND  $\pm 1$  Deg.  
TWO PLACE DECIMAL  $\pm .03"$   
THREE PLACE DECIMAL  $\pm .015"$

**PROPRIETARY AND CONFIDENTIAL**

THE INFORMATION CONTAINED IN THIS DRAWING IS THE SOLE PROPERTY OF G.G. SCHMITT & SONS. ANY REPRODUCTION IN PART OR AS A WHOLE WITHOUT THE WRITTEN PERMISSION OF G.G. SCHMITT & SONS IS PROHIBITED.

DO NOT SCALE DRAWING

**G.G. Schmitt & Sons**

2821 Old Tree Drive  
Lancaster, PA 17603  
717-394-3701  
7230 15th Street East  
Sarasota, FL 34243  
941-360-1967

TITLE: **FRAME, LARGE DELUXE LEAN POST**

DRAWN BY: **GAT**

APR BY:

REV: **0**

SIZE **A** DWG. NO. **4-19637**

CUSTOMER NO. **-**

SCALE: 1:24

DATE: 6/22/2009

SHEET 1 OF 1

**NOTE:**  
ALL DIMENSIONS ARE FOR REFERENCE ONLY