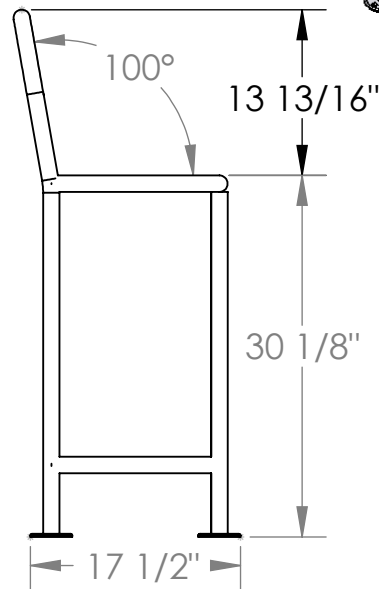
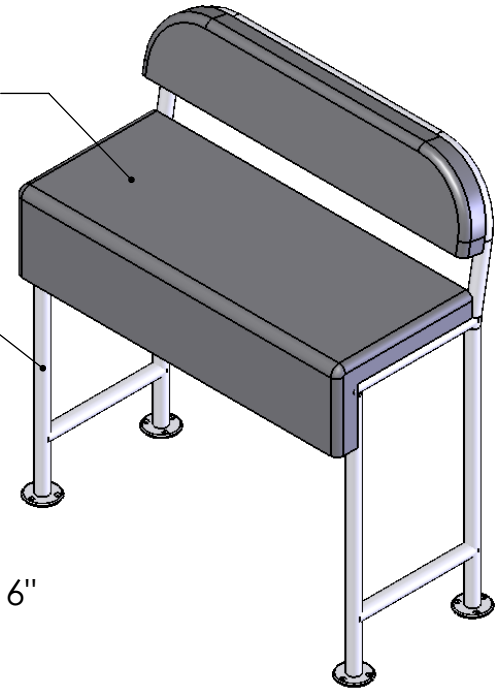


**P.N. 4-19635CU
(FRAME W/CUSHIONS)**

**P.N. 4-19635
(FRAME ONLY)**



UNLESS OTHERWISE SPECIFIED:

DIMENSIONS ARE IN INCHES
TOLERANCES:
FRACTIONAL $\pm 1/64"$
ANGULAR: MACH ± 1 Deg.
BEND ± 1 Deg.
TWO PLACE DECIMAL $\pm .03"$
THREE PLACE DECIMAL $\pm .015"$

PROPRIETARY AND CONFIDENTIAL

THE INFORMATION CONTAINED IN THIS DRAWING IS THE SOLE PROPERTY OF G.G. SCHMITT & SONS. ANY REPRODUCTION IN PART OR AS A WHOLE WITHOUT THE WRITTEN PERMISSION OF G.G. SCHMITT & SONS IS PROHIBITED.

DO NOT SCALE DRAWING

2821 Old Tree Drive
Lancaster, PA 17603
717-394-3701
7230 15th Street East
Sarasota, FL 34243
941-360-1967

G.G. Schmitt & Sons

TITLE: **FRAME, LARGE BASIC LEAN POST**

DRAWN BY: **GAT**

APR BY:

REV: **0**

SIZE DWG. NO.
A 4-19635

CUSTOMER NO.

-

SCALE: 1:6

DATE: 4/16/09

SHEET 1 OF 1

NOTE:
ALL DIMENSIONS ARE FOR REFERENCE ONLY