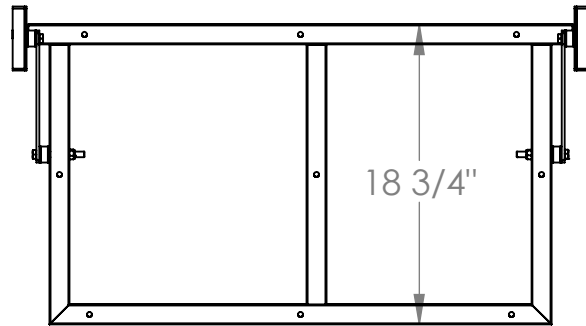
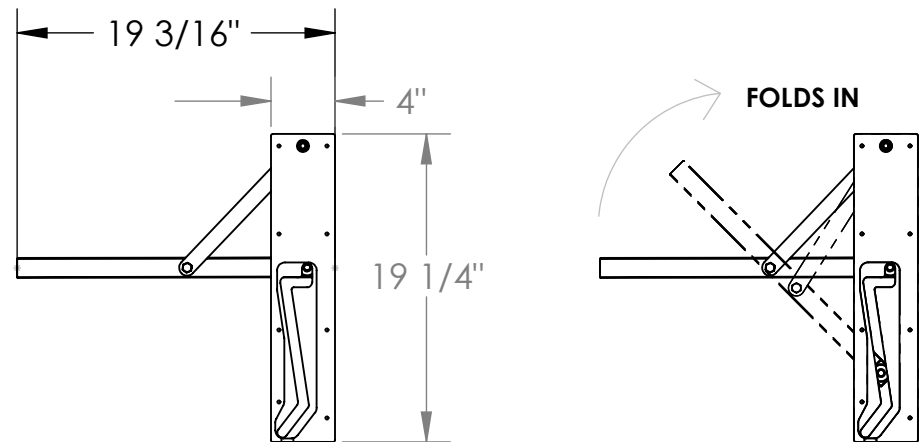
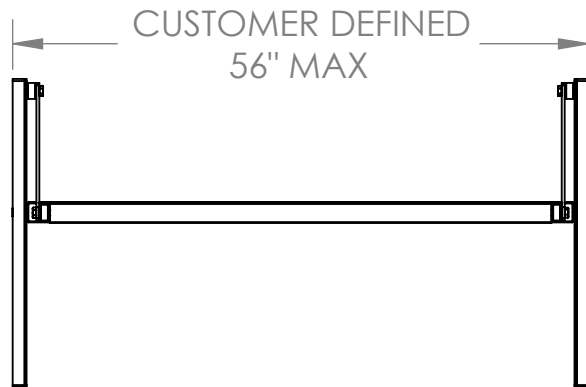
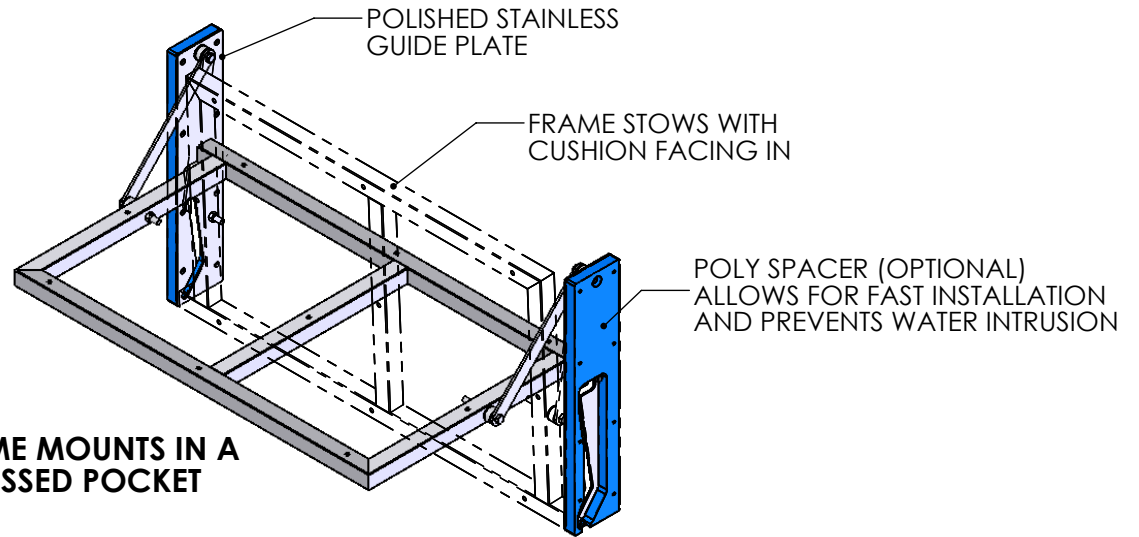


AVAILABLE TO O.E.M. ONLY
CUSTOM SIZES AVAILABLE



**FRAME MOUNTS IN A
 RECESSED POCKET**



CURRENT SIZES AVAILABLE	
PART#	WIDTH
4-19631-36	36"
4-19631-38	38"
4-19631-48	48"
4-19631-50	50"
4-19631-52	52"

UNLESS OTHERWISE SPECIFIED: DIMENSIONS ARE IN INCHES TOLERANCES: FRACTIONAL $\pm 1/64"$ ANGULAR: MACH ± 1 Deg. BEND ± 1 Deg. TWO PLACE DECIMAL $\pm .03"$ THREE PLACE DECIMAL $\pm .015"$	2821 Old Tree Drive Lancaster, PA 17603 717-394-3701	
	7230 15th Street East Sarasota, FL 34243 941-360-1967	
PROPRIETARY AND CONFIDENTIAL THE INFORMATION CONTAINED IN THIS DRAWING IS THE SOLE PROPERTY OF G.G. SCHMITT & SONS. ANY REPRODUCTION IN PART OR AS A WHOLE WITHOUT THE WRITTEN PERMISSION OF G.G. SCHMITT & SONS IS PROHIBITED. DO NOT SCALE DRAWING	<h1>G.G. Schmitt & Sons</h1>	
	TITLE: STERN SEAT (FOLD IN)	
DRAWN BY: G.A.T.	APR BY:	REV: 0
SIZE A	DWG. NO. 4-19631	CUSTOMER NO. -
SCALE: NTS	DATE: 9/10/08	SHEET 1 OF 1