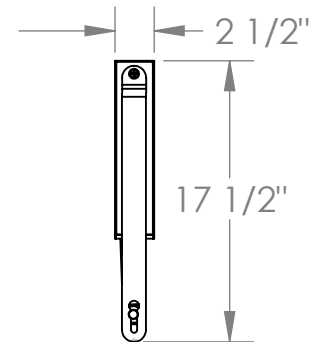


OPEN



CLOSED

PART# & SIZE LIST	
PART #	"X"
4-19615-28	28"
4-19615-38	38"
4-19615-48	48"
4-19615-52	52"
4-19615-58	58"
4-19615-XX-CU	ADD "CU" FOR CUSHION

<p>UNLESS OTHERWISE SPECIFIED: DIMENSIONS ARE IN INCHES TOLERANCES: FRACTIONAL ± 1/64" ANGULAR: MACH ± 1 Deg. BEND ± 1 Deg. TWO PLACE DECIMAL ± .03" THREE PLACE DECIMAL ± .015"</p>	2821 Old Tree Drive Lancaster, PA 17603 717-394-3701	
	7230 15th Street East Sarasota, FL 34243 941-360-1967	
<p>PROPRIETARY AND CONFIDENTIAL THE INFORMATION CONTAINED IN THIS DRAWING IS THE SOLE PROPERTY OF G.G. SCHMITT & SONS. ANY REPRODUCTION IN PART OR AS A WHOLE WITHOUT THE WRITTEN PERMISSION OF G.G. SCHMITT & SONS IS PROHIBITED.</p>	<h1>G.G. Schmitt & Sons</h1>	
<p>TITLE: SEAT, BULKHEAD REMOVABLE</p>		
DRAWN BY: GAT	APR BY:	REV: 0
SIZE A	DWG. NO. -	CUSTOMER NO. -
DO NOT SCALE DRAWING	SCALE: NTS	DATE: 6/22/2009
		SHEET 1 OF 1