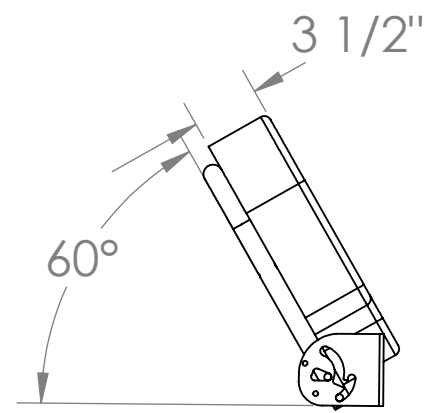
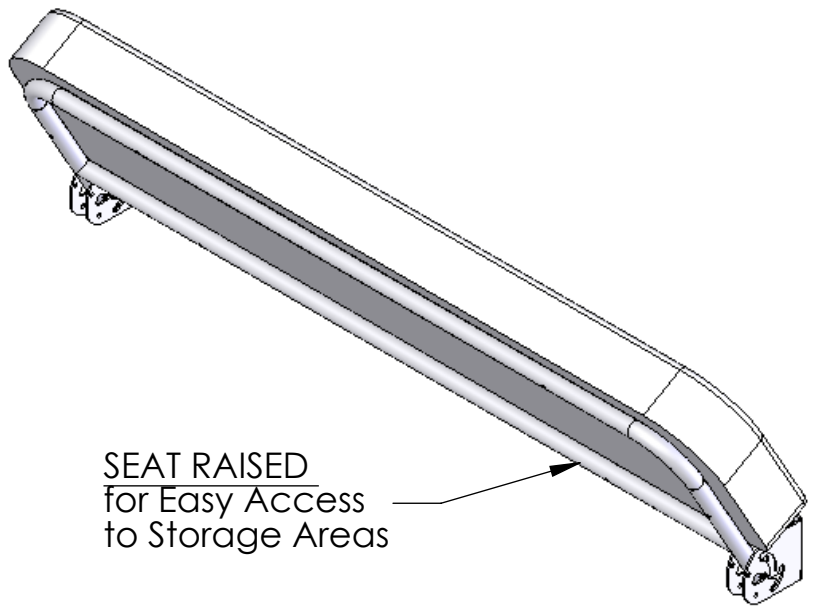


8 7 6 5 4 3 2 1

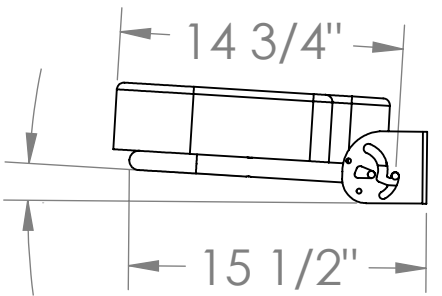
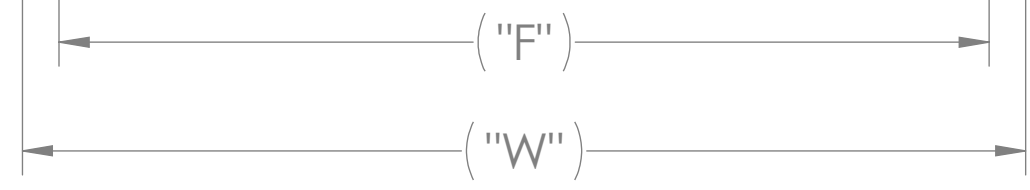
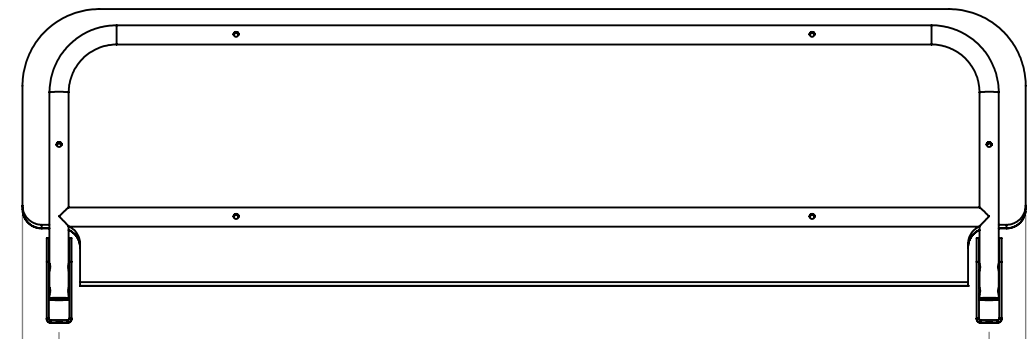
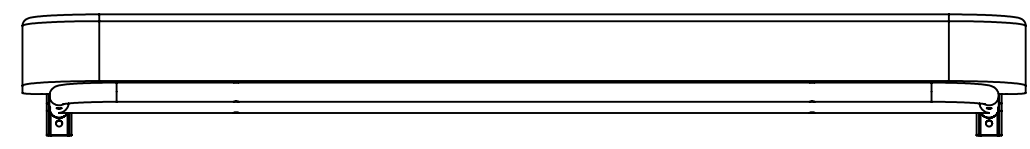
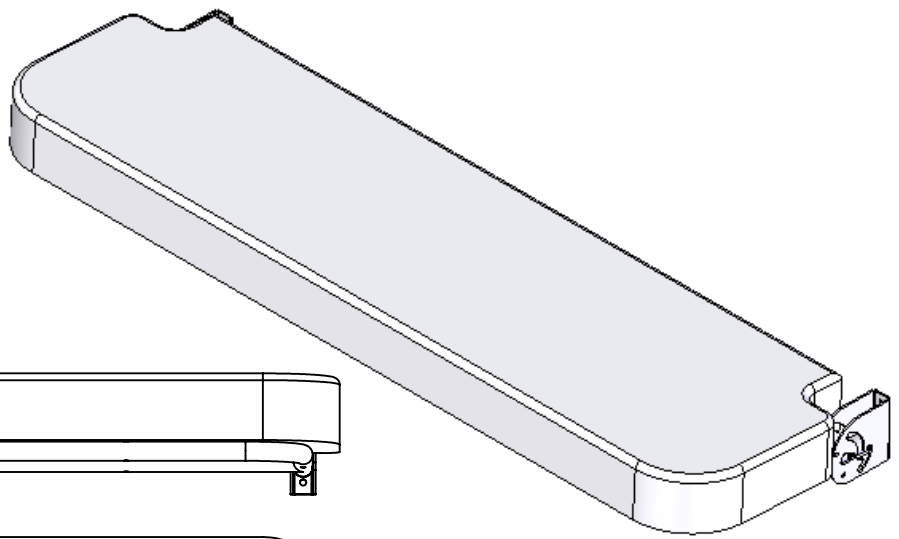


ELEVATED

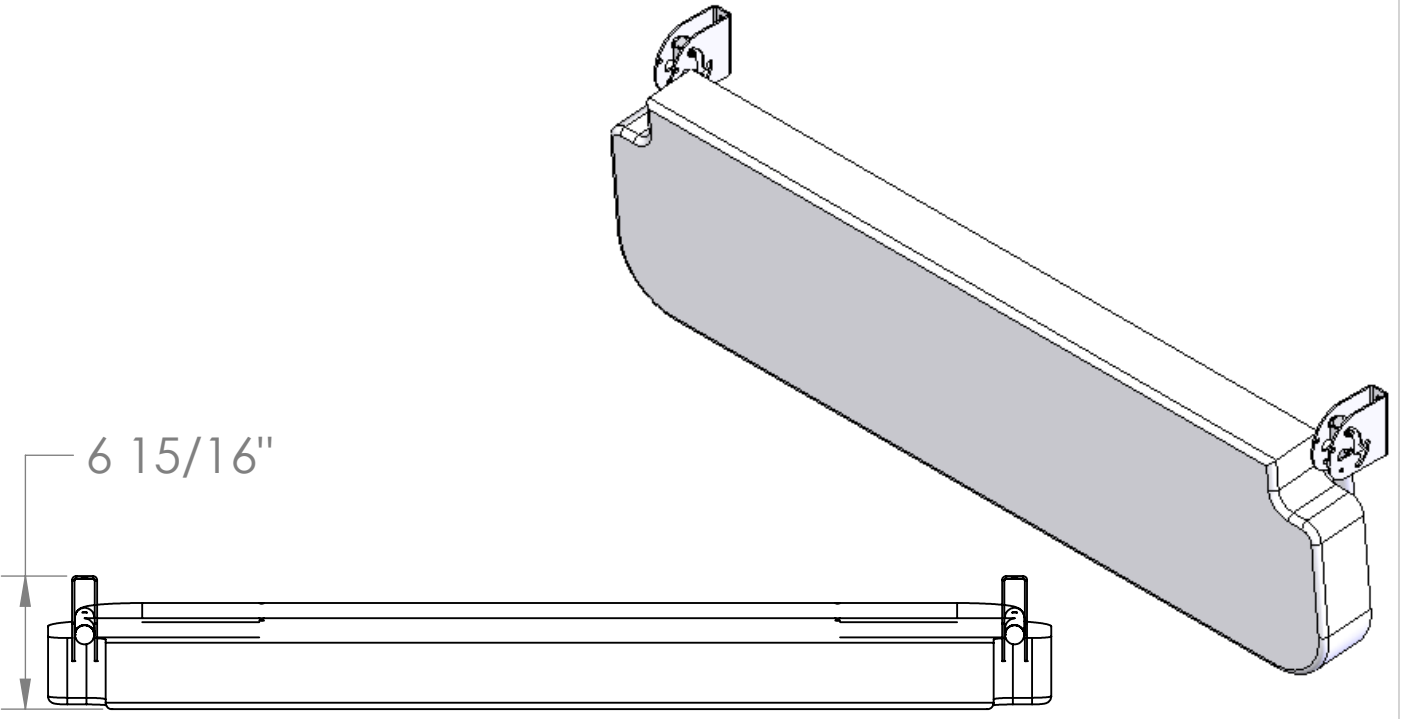


SEAT RAISED
for Easy Access
to Storage Areas

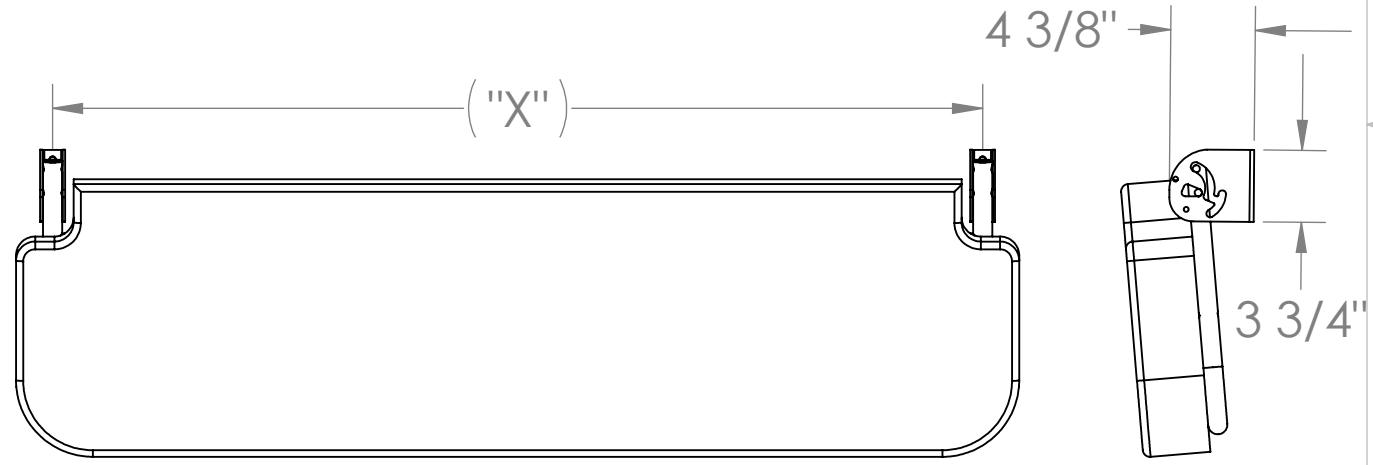
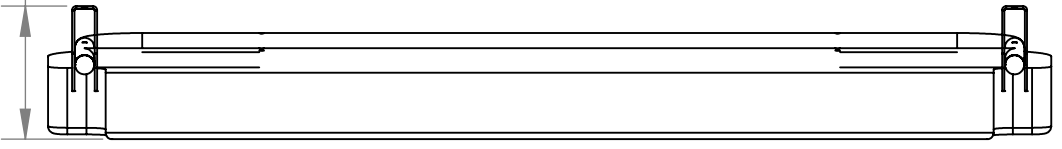
| PART NO. | "F" | "W" |
|-------------|----------------------|-----|
| 26534-19 | 19" | 22" |
| 26534-38 | 38" | 41" |
| 26534-52 | 52" | 55" |
| 26534-XX-CU | ADD "CU" FOR CUSHION | |



DEPLOYED



6 15/16"



WIDTH RANGE
X = 19", 38", 52"

STOWED

NOTE:
ALL DIMENSIONS ARE FOR REFERENCE ONLY

UNLESS OTHERWISE SPECIFIED:
DIMENSIONS ARE IN INCHES
TOLERANCES:
FRACTIONAL ± 1/64"
ANGULAR: MACH ± 1 Deg.
BEND ± 1 Deg.
TWO PLACE DECIMAL ± .03"
THREE PLACE DECIMAL ± .015"
PROPRIETARY AND CONFIDENTIAL
THE INFORMATION CONTAINED IN THIS DRAWING IS THE SOLE PROPERTY OF G.G. SCHMITT & SONS. ANY REPRODUCTION IN PART OR AS A WHOLE WITHOUT THE WRITTEN PERMISSION OF G.G. SCHMITT & SONS IS PROHIBITED.
DO NOT SCALE DRAWING

G.G. Schmitt & Sons

2821 Old Tree Drive
Lancaster, PA 17403
717-394-3701
7230 15th Street East
Sarasota, FL 34243
941-360-1967

TITLE: **SEAT, BULKHEAD THREE POSITION**

| | | | | |
|-------------|--------------|----------------|---------------|----------|
| SIZE | DWG. NO. | CUSTOMER NO. | DRAWN BY: | REV |
| B | 26534 | N/A | C.R.S. | 0 |
| SCALE: 1:10 | | DATE: 6/4/2010 | SHEET 1 OF 1 | |

8 7 6 5 4 3 2 1